

Thank you for choosing SWIT products, please read this user manual carefully and save it for future reference.

### Specification

Model	PL-E90L
Color Temperature	2700K-6500K
Brightness	0%-100%
Luminance	2000 Lux@1m 240 Lux@3m 90 Lux@5m
Beam Angle	Appr.70°
CRI	99
TLCI	99
Working Voltage	DC 11-36V
Power consumption	Appr.90W
Dimensions	See fig.1, Fig.2
Luminous size	781mm x 104mm
Net weight	4.9Kg

### Caution

1. Do not disassemble the panel light or touch the interior with metal objects to prevent damaging the equipment.
2. Do not store the panel light in dusty or wet environment to avoid damage.
3. In order to ensure safety, please use the safety rope when hoisting the lamp.
4. Working temperature is between -10°C and 40°C.

### Cleaning

1. Please clean the front LED panel with soft dry cloth. If using soft cloth with slight clean neutral detergent solution, please wipe again with a soft dry cloth.
2. Do not use wet cloth, anhydrous alcohol, gasoline or a mixture of anhydrous alcohol and ether etc. to wipe the front LED panel.

### Dimension

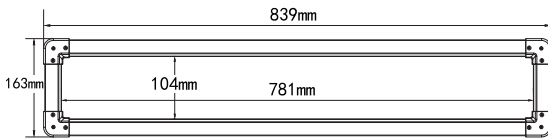


Fig.1 PL-E90L

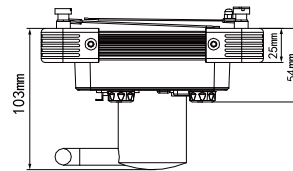


Fig.2 PL-E90L

### Appearance

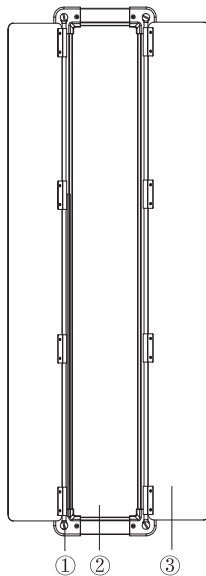


Fig.3 PL-E90L Front View

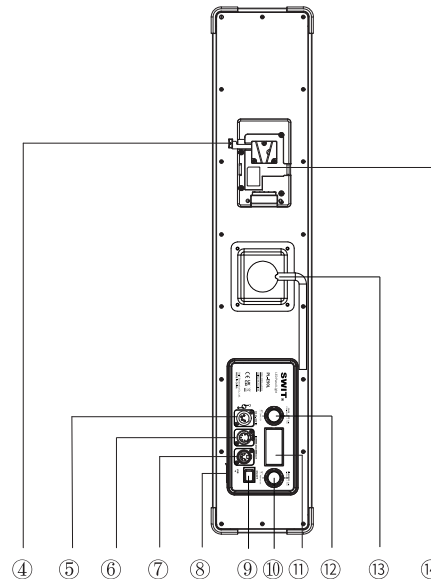


Fig.4 PL-E90L Back View

- |             |                         |                |                          |
|-------------|-------------------------|----------------|--------------------------|
| ① Screws    | ④ Plate unlock push rod | ⑧ USB port     | ⑫ Color temperature knob |
| ② Diffuser  | ⑤ DC 11-36V IN          | ⑨ Power switch | ⑬ Universal gimbal       |
| ③ Barn door | ⑥ DMX IN                | ⑩ Dimmer knob  | ⑭ Battery plate          |
|             | ⑦ DMX OUT               | ⑪ LCD Screen   |                          |

## LCD display

For example: PL-E90L, color temperature 5600K, dimmer 100%, powered by fully charged battery:

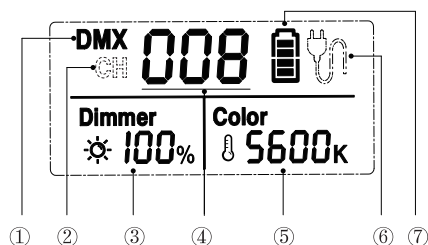


Fig.5 LCD display

- ① The current control mode—DMX Mode
- ② The current control mode—Interaction control Mode
- ③ Brightness display
- ④ Communication address
- ⑤ Color temperature display
- ⑥ Power supply mode- AC adaptor power supply
- ⑦ Power supply mode- Battery power supply

### Tips: The battery icon shows as below:

Four bars	Appr.80%-100%
Three bars	Appr.60%-80%
Two bars	Appr.40%-60%
One bar	Appr.20%-40%
Empty, Battery icon flashing	Appr. less than 20%, low capacity warning

## Accessories Installation

Fig.6 is the installation pattern of barn door, pay attention that the round screws need to upward when install the barn door.

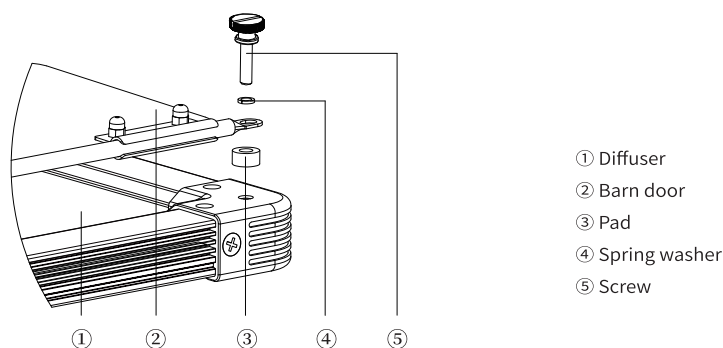


Fig.6 Barn door installation

## Usage

### 1 Installation

#### 1.1 Accessories Installation

The installation of barn door, please see Fig.6 [Barn door installation].

1.2 User can install the light on a tripod or stand, adjust demanded casting angle by knob on both sides of the U-stand.

### 2 Power supply

This light can be powered by battery or AC adaptor.

#### 2.1 Battery installation

##### 1) Installation

Connect battery with battery plate, (Fig.4 ④), hear the "Click" sound to complete the battery installation.

##### 2) Remove

Push the lock rod (Fig.4 ④) to remove the battery from the plate.

#### 2.2 The connection and disconnection of AC adaptor

##### 1) Connection

Align the hump of output male XLR to the gap of the DC socket, connect XLR and DC socket, the adaptor will connect with the light when you hear the "Click" sound. (Polarity: pin1 "-", pin4 "+")

##### 2) Disconnection

Hold the hump of the DC output female XLR and pull out, the power adaptor and the light will be disconnected.

### 3 Dimmer and color temperature setting

The light provides two ways of adjusting the color temperature and brightness: normal adjusting mode and quick adjusting mode. User can switch the adjusting mode by press the dimmer knob and color temperature adjusting knob(Fig.4 ⑩/⑫).User can quickly set the dimmer and color temperature to their needs by combining two adjusting modes.

#### 3.1 Normal adjusting mode

- 1) Color temperature adjusting  
Range:2700K-6500K, adjust steps:50K
- 2) Dimmer adjusting  
Range:0%-100%, adjust steps:1%

#### 3.2 Quick adjusting mode

- 1) Color temperature adjusting  
Under this mode, user can quickly choose common color temperature:2700K, 3200K,4500K,5600K,6500K
- 2) Dimmer adjusting  
Range:0%-100%, adjust steps:10%

### 4 The setting and usage of communication address

Hold the brightness adjust knob(Fig.4 ⑩)for 2s to enter in setting interface of communication address, communication address setting range:001-512.

The chosen number will show flashing backlight, turn brightness adjust knob(Fig.4 ⑩) left and right to set current number, press brightness adjust knob(Fig.4 ⑩)to confirm current number and set next number, after finish setting the last number, press brightness adjust knob(Fig.4 ⑩)or wait for about 5seconds to exit communication address setting.

### 5 The setting and usage of communication control mode

Connect all the lights with DMX cable, hold the color temp adjust knob (Fig.4 ⑫) about 2s to complete the setting of communication mode.

#### 5.1 DMX Communication mode

The top left corner of LCD screen shows "DMX" (Fig.5 ①) indicating that the communication control mode currently is DMX communication mode. In this mode, connect the DMX signal output device to the lights network, and set up the communication address to work normally. This light occupies 2 DMX control channels, the current DMX address(N) is brightness control, and the next set address of the current value (N+1) is color temperature control.

For example:

DMX Communication address	DMX Control address	Function
005	005	Brightness 0%-100%
	006	Color temperature 2700K-6500K

#### 5.2 Interaction Control Mode

The top left corner of LCD screen shows "CH" (Fig.5 ②) indicating that the communication control mode is interaction control mode. In this mode, set the target lights to the same communication address to work normally, and the master-slave machine is not distinguished. Tips: Please do not connect any DMX output device with light when using interaction control, otherwise interaction control function will not be used normally.

### 6 USB Socket

The USB socket is reserved. Use it according to the specific environment of the company's related products. Do not use it for other purpose to avoid losses;

## Packing List

No.	Details	Quantities
1	PL-E90L	x 1
2	Power cable	x 1
3	Carrying case	x 1
4	Power adaptor	x 1
5	Barn door	x 1
6	V-mount hook	x 1
7	Rotate bracket	x 1