

Thank you for choosing SWIT products, please read this user manual carefully and save it for future reference.

Specification

| | |
|-------------------|-----------------|
| Model | PL-E90L |
| Color Temperature | 2700K-6500K |
| Brightness | 0%-100% |
| Luminance | 2000 Lux@1m |
| Beam Angle | Appr.110° |
| CRI | 99 |
| TLCI | 99 |
| Working Voltage | DC 11-36V |
| Power consumption | Appr.90W |
| Overall Dimension | See fig.1、Fig.2 |
| Luminous size | 781mm x 104mm |
| Net weight | 4.9Kg |

Caution

1. Please do not disassemble the light or touch its inner part with metal object to avoid damage;
2. Please do not put the light under conditions full of moisture or dust to avoid damage;
3. The USB port is reserved. Use it according to the specific environment of the company's related products. Do not use it for other purpose to avoid losses;
4. Please do not connect any DMX output device with light when using interaction control, otherwise interaction control function will not be used normally.
5. Only use the light in the temperature range of -10°C~40°C.

Maintenance

1. Please clean the front LED panel with soft dry cloth. If using soft cloth with slight clean neutral detergent solution, please wipe again with a soft dry cloth.
2. Do not use wet cloth, anhydrous alcohol, gasoline, or a mixture of anhydrous alcohol and ether etc. to wipe the front LED panel.

Dimension

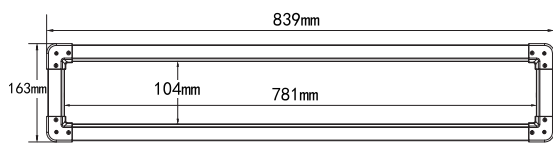


Fig.1 PL-E90L

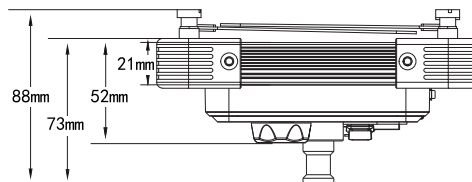


Fig.2 PL-E90L

Appearance

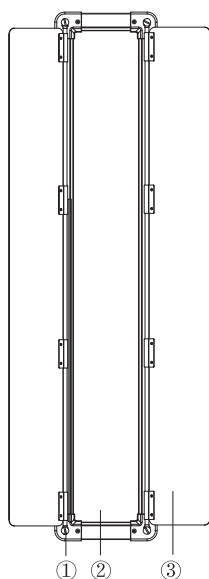


Fig.3 PL-E90L Front View

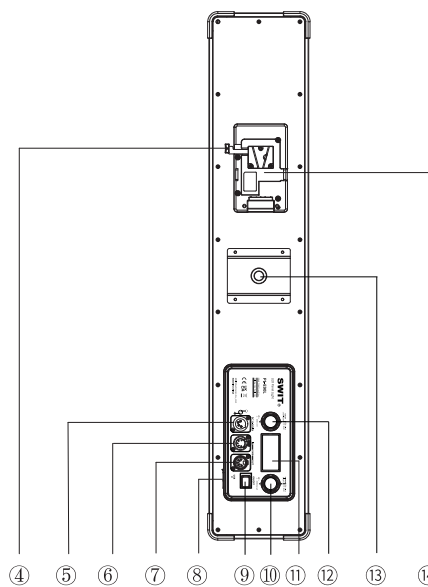


Fig.4 PL-E90L Back View

- ① Screws
- ② Diffuser
- ③ Barn door

- ④ Plate unlock push rod
- ⑤ DC 11-36V IN
- ⑥ DMX IN
- ⑦ DMX OUT

- ⑧ USB port
- ⑨ Power switch
- ⑩ Dimmer knob
- ⑪ LCD Screen

- ⑫ Color temperature knob
- ⑬ Rotate axis
- ⑭ Battery plate

LCD display

For example:PL-E90L,color temperature 5600K,dimmer 100%,powered by fully charged battery:

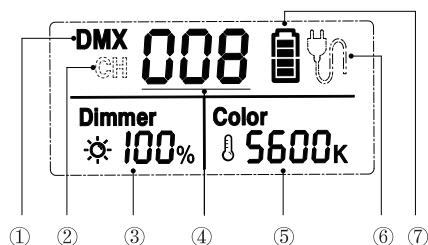


Fig.5 LCD display

- ① Current communication control mode
—DMX communication mode
- ② Current communication control mode
—interaction control mode
- ③ Brightness display
- ④ Communication address
- ⑤ CT display
- ⑥ Power supply display(AC adaptor power supply)
- ⑦ Power supply display(battery power supply)

Note: When powered by battery, the battery capacity will be displayed as below:

| | |
|------------------------------|---|
| Four bars | Appr.80%-100% |
| Three bars | Appr.60%-80% |
| Two bars | Appr.40%-60% |
| One bar | Appr.20%-40% |
| Empty, Battery icon flashing | Appr. less than 20%, low capacity warning |

Accessories Installation

Fig.6 is the installation pattern of barn door, pay attention that the round screws need to upward when install the barn door.

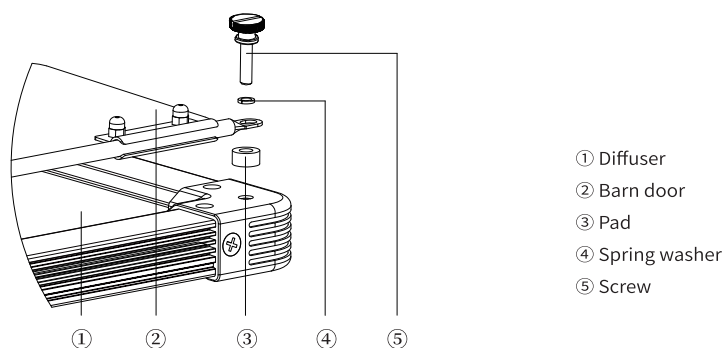


Fig.6 Barn door installation

Usage

1 Installation

1.1 Accessories Installation

The installation of barn door, please see Fig.6【Barn door installation】.

1.2 User can install the light on a tripod or stand, adjust demanded casting angle by knob on both sides of the U-stand.

2 Power supply

This light can be powered by battery or AC adaptor.

2.1 Battery installation

1) Installation

Connect battery with battery plate,(Fig.4 ⑭),hear the "Click" sound to complete the battery installation.

2) Remove

Push the lock rod(Fig.4 ④)to remove the battery from the plate.

2.2 The connection and disconnection of AC adaptor

1) Connection

Align the hump of output male XLR to the gap of the DC socket, connect XLR and DC socket, the adaptor will connect with the light when you hear the "Click" sound.(Polarity:pin1"-";pin4"+")

2) Disconnection

Hold the hump of the DC output female XLR and pull out, the power adaptor and the light will be disconnected.

3 Dimmer and color temperature setting

The light provides two ways of adjusting the color temperature and brightness: normal adjusting mode and quick adjusting mode. User can switch the adjusting mode by press the dimmer knob and color temperature adjusting knob(Fig.4 ⑩/⑫).User can quickly set the dimmer and color temperature to their needs by combining two adjusting modes.

3.1 Normal adjusting mode

- 1) Color temperature adjusting
Range:2700K-6500K, adjust steps:50K
- 2) Dimmer adjusting
Range:0%-100%, adjust steps:1%

3.2 Quick adjusting mode

- 1) Color temperature adjusting
Under this mode, user can quickly choose common color temperature:2700K, 3200K,4500K,5600K,6500K
- 2) Dimmer adjusting
Range:0%-100%, adjust steps:10%

4 The setting and usage of communication address

Hold the brightness adjust knob(Fig.4 ⑩)for 2s to enter in setting interface of communication address, communication address setting range:001-512.

The chosen number will show flashing backlight, turn brightness adjust knob(Fig.4 ⑩) left and right to set current number, press brightness adjust knob(Fig.4 ⑩)to confirm current number and set next number, after finish setting the last number, press brightness adjust knob(Fig.4 ⑩)or wait for about 5seconds to exit communication address setting.

5 The setting and usage of communication control mode

Connect all the lights with DMX cable, hold the color temp adjust knob (Fig.4 ⑫) about 2s to complete the setting of communication mode.

5.1 DMX Communication mode

The top left corner of LCD screen shows "DMX" (Fig.5 ①) indicating that the communication control mode currently is DMX communication mode. In this mode, connect the DMX signal output device to the lights network, and set up the communication address to work normally.

This light occupies 2 DMX control channels, the current DMX address(N) is brightness control, and the next set address of the current value (N+1) is color temperature control.

For example:

| DMX Communication address | DMX Control address | Function |
|---------------------------|---------------------|-------------------------------|
| 005 | 005 | Brightness 0%-100% |
| | 006 | Color temperature 2700K-6500K |

5.2 Interaction Control Mode

The top left corner of LCD screen shows "CH" (Fig.5 ②) indicating that the communication control mode is interaction control mode. In this mode, set the target lights to the same communication address to work normally, and the master-slave machine is not distinguished.

Tips: Please do not connect any DMX output device with light when using interaction control, otherwise interaction control function will not be used normally.

6 USB Socket

The USB socket is reserved. Use it according to the specific environment of the company's related products. Do not use it for other purpose to avoid losses;

Packing List

| No. | Packing list | Package 1 | Package 2 |
|-----|----------------|-----------|-----------|
| 1 | PL-E90L | × 1 | × 3 |
| 2. | Power cable | × 1 | × 3 |
| 3 | Carrying case | × 1 | / |
| 4 | Trolley case | / | × 1 |
| 5 | Power adaptor | × 1 | × 3 |
| 6 | Barn door | × 1 | × 3 |
| 7 | V-mount hook | × 1 | × 3 |
| 8 | Rotate bracket | × 1 | × 3 |
| 9 | Tripod | / | × 3 |

Note:

- 1.Package 1: Single light package (with barn door)
- 2.Package 2: Three lights kit