

SWIT®

FL-C100
LED Spot Light
 Ver: B

USER MANUAL

SWIT Electronics Co.,Ltd.

Tel:+86-25-85805753
 Fax:+86-25-85805296
 http://www.swit.cc
 E-mail: contact@swit.cc

Thank you for choosing SWIT products. Please read the instructions before using, and keep it for future reference.

Specification

| Model | FL-C100 |
|------------------------|--|
| Half Beam Angle | 12°- 26° |
| Color temperature | 5600K |
| CRI | ≥96 |
| TLCI | ≥97 |
| SSI(D55) | 74 |
| Max Illuminance | 60000Lux@1m(Spot) 6700 Lux@3m(Spot) 2400 Lux@5m(Spot) 22000Lux@1m(Flood) 2400 Lux@3m(Flood) 880 Lux@5m(Flood) |
| Control | Local control, DMX |
| Working Voltage | AC 100-240V 50/60Hz |
| Power | Approx.100W |
| Dimension (mm) | See Fig.1, Fig.2 |
| Weight (With Barndoor) | 5.2Kg |

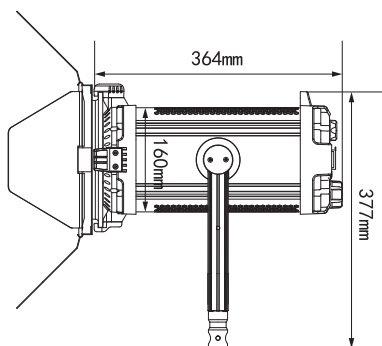


Fig.1 FL-C100 Side View

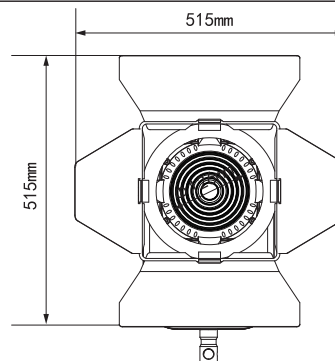


Fig.2 FL-C100 Front View

Appearance

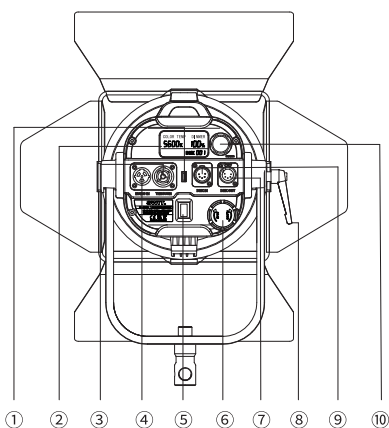


Fig.3 FL-C100 Rear View

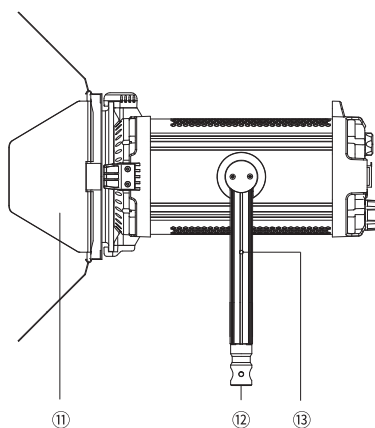


Fig.4 FL-C100 Side View

- ① USB
- ② LCD
- ③ AC OUTPUT
- ④ AC INPUT
- ⑤ POWER Switch
- ⑥ Flood/Spotknob
- ⑦ DMX OUTPUT
- ⑧ Adjustable Handle
- ⑨ DMX INPUT
- ⑩ Dimmer Knob
- ⑪ Barn Door
- ⑫ Bracket Adaptor
- ⑬ Hanging Ring install hole

Caution

1. Do not disassemble the panel light or touch the interior with metal objects to prevent damaging the equipment.
2. Do not store the panel light in dusty or wet environment to avoid damage.
3. In order to ensure safety, please use the safety rope when hoisting the lamp.
4. Working temperature is between -10°C to 40°C

Usage

1. Installation

Before use, please install the barn door and honeycomb according to the requirements. When lifting and using the lamps, please pass the safety rope (hereafter referred to as "safety rope") through the hanging ring and the bracket (Hanging ring need to be installed in Fig.4.4⑬).

2. Power supply

The working voltage of this light is AC 100-240V, 50/60Hz, Support AC loop out.

3. Brightness and DMX address setting

This product is a 5600K spotlight. After the power is switched on, users can adjust the brightness parameters of the lamp through the DMX lamp console or brightness adjustment knob according to the requirements of use.

The specific operation of adjusting brightness of lamps through DMX controller is as follows:

● DMX Control

Each lamp occupies a total of one DMX channel. If the DMX address set for the lamp is N, then the N channel of the DMX lamp console controls the luminosity parameter of the lamp. If the DMX address set for the lamp is 001, then the relevant control channel and functions of the lamp console are shown in Table 1:

| DMX Communication Address | Function |
|---------------------------|--------------------|
| CH1 | Brightness 0%-100% |

Form.1

● DMX Address setting

Hold the brightness adjustment knob (As shown in Figure 3 ⑩) for about 2 seconds to enter the communication address setting interface. The communication address setting range is 001-512. The LCD (Figure 3 ②) blinks, indicating that the current position is selected. Rotate the brightness adjustment knob (Figure 3 ⑩) to set the current position and press the brightness adjustment Knob (Figure 3 ⑩) to determine the current bit Settings and enter the next bit Settings. When the last bit Settings are completed, press the brightness adjustment knob (Figure 3 ⑩) or wait for about 5 seconds to exit the communication address Settings

4. Flood/Spot

Rotate the Flood/Spot knob clockwise, the light will change from Flood to Spot, Rotate the Flood/Spot knob anticlockwise, the light will change from Spot to Flood.

Packing List

| No. | Item | Quantities |
|-----|--------------|------------|
| 1 | FL-C1000 | x 1 |
| 2 | Barn Door | x 1 |
| 3 | Power Cable | x 1 |
| 4 | Shade Cloth | x 1 |
| 5 | Safety Rope | x 2 |
| 6 | Hanging Ring | x 1 |
| 7 | AC Plug | x 1 |