

USER MANUAL

SWIT Electronics Co.,Ltd.

Tel:+86-25-85805753
Fax:+86-25-85805296
<http://www.swit.cc>
E-mail: contact@swit.cc

Thank you for choosing SWIT products. Please read the instructions before using, and keep it for future reference.

Specification

Model	PL-S150D
LED QTY	1152pcs
Color Temperature	2700K-6500K
Brightness	0%-100%
Illumination	5500 Lux/1m 700 Lux/3m 270 Lux/5m
Half peak beam angle	64°/40° (With honeycomb)
CRI	97
TLCI	99
SSI(D55)	73
Power consumption	About 150W
Working voltage	AC100-240V ,50/60Hz ;DC 12-36V
Dimensions	See Fig.1、Fig.2
Weight	4.7Kg ; 4.9Kg (With honeycomb) ; 5.8Kg (With barn door)

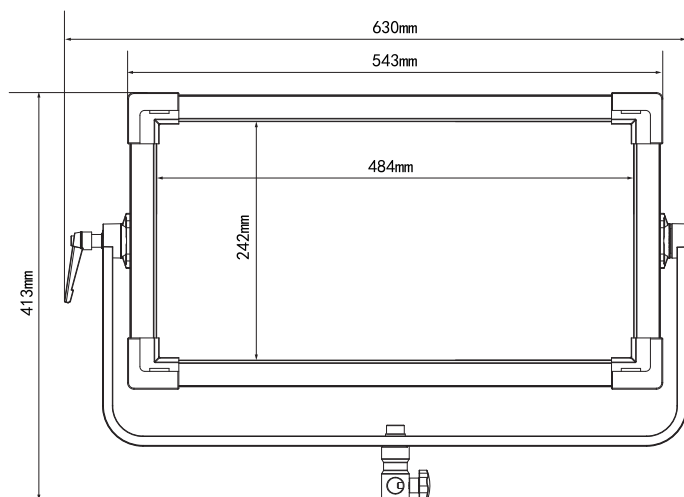


Fig.1 PL-S150D Dimension (Front view)

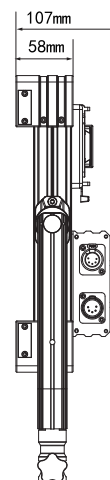


Fig.2 PL-S150D Dimension (Side view)

Cautions

1. Do not disassemble the panel light or touch the interior with metal objects to prevent damaging the equipment;
2. Do not store the panel light in dusty or wet environment to avoid damage;
3. In order to ensure safety, please use the safety rope when hoisting the lamp;
4. Working temperature is between -10°C and 40°C.

Overall Dimension

1. Front View:

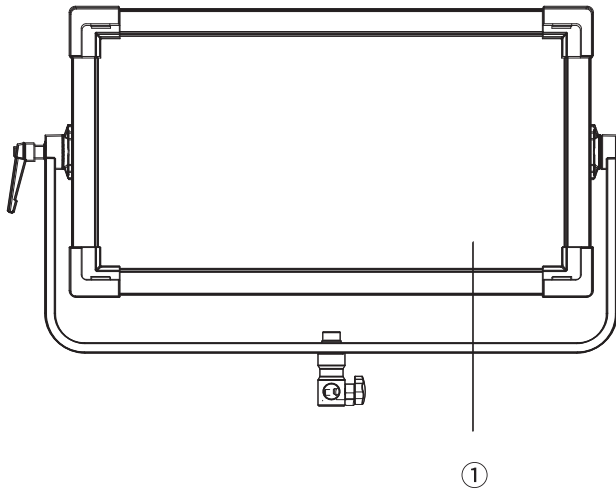


Fig.3 PL-S150D Front View

- ① Diffuser
- ② Fasten knob
- ③ U-Bracket
- ④ DMX OUT
- ⑤ LCD

2. Back View

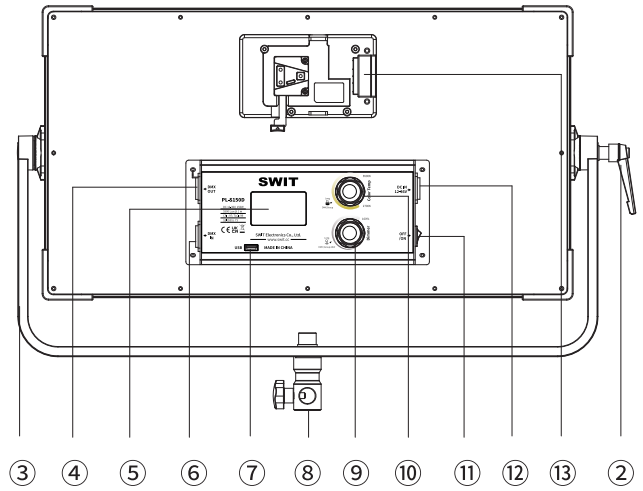


Fig.4 PL-S150D Back View

- ⑥ DMX OUT
- ⑦ USB
- ⑧ York connector
- ⑨ Dimmer adjusting knob
- ⑩ Color Temp adjusting knob
- ⑪ Power switch
- ⑫ DC IN 12-36V
- ⑬ Battery plate

LCD Information

Take the “CCT=5600K, Dimmer=100%, DMX address:008 (Group address:8)” for example:

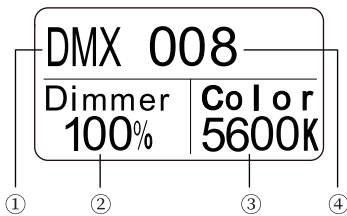


Fig.5 DMX Mode

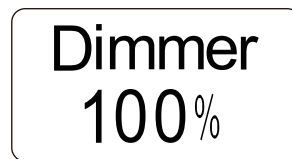


Fig.6 Dimmer Setting Interface

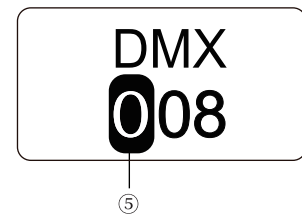


Fig.7 DMX Address setting Interface

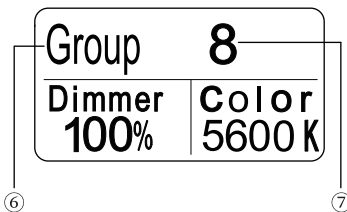


Fig.8 Group Mode

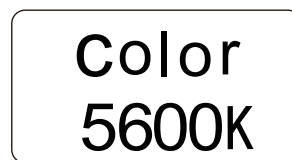


Fig.9 Color Temp Setting Interface



Fig.10 Group Address Setting Interface

- ① Current Mode—DMX Mode
- ② Current Dimmer value
- ③ Current Color value
- ④ DMX Address
- ⑤ Black Shading - The current setting bit of the parameter
- ⑥ Current Mode—Group Mode
- ⑦ Group Address

Usage

1. Install

1.1 Accessories Installation

1) Barn Door/Honey Comb

Adopt quick release design, press the accessories(Barn Door/Honey Comb) into the frame angle for normal using.

2) Safety Ring

The upper and lower frames of the lamp body are designed with mounting holes for safety rings. The Safety rings can be used normally when tightened according to the requirements.

1.2 Light Installation

Mount the lamp head onto a light stand, then fix it in place by tightening the T-Handle on the mounting column. Then loosen/tighten the handbrake locking mechanism on the yoke to adjust the tilt of the fixture.

Tips: The upper and lower sides of the lamp body are designed with safety ring mounting holes. Please use the safety ring and safety rope when lifting the lamp.

2. Power supply and usage

This product supports battery, power adapter two power supply mode.

2.1 The installation of batteries

1) Installation

Connect the battery to the battery plate. When you hear a click sound, the battery installation is complete.

2) Disassembly

To remove the battery, press the unlock button of the battery plate and move the battery in the opposite direction from that when it is mounted.

2.2 The installation of power adaptor

1) Connection

Align the protruding part of the female XLR at the DC output end of the adapter with the notch of the DC socket, insert the XLR into the DC power interface, and hear a "click" sound to complete the effective connection between the power adapter and the lamp cap.

2) Disconnection

The power adapter is separated from the lamp holder by holding down the convex part of the female XLR at the DC output of the adapter and pulling out.

3. Parameter setting and usage

3.1 Intensity & Color Temperature setting and usage

Rotate Dimmer/Color knob (Fig.4 ⑨/⑩) to adjust the intensity and color temperature,the setting range are below:

- ▶ The setting range of Intensity :0%-100%, Minimum setting step is 1%;
- ▶ The setting range of Color temperature:2700K-6500K, Minimum setting step is 50K.

3.2 Communication mode setting and usage

The communication mode of this light including:DMX communication mode、Group communication mode.

- ▶ DMX communication address range:001-512;
- ▶ Group communication address range:1-8.

3.2.1 DMX Communication mode

1) Parameter setting

Long press Color adjustment knob (Fig.4 ⑩) to change the light to DMX communication mode (See Fig.5), long press Dimmer adjustment knob (Fig.4 ⑨) to enter into DMX address setting interface (See Fig.7) for DMX address setting:

The black shading (Figure 7 ⑤) indicates that the current bit is selected. Turn the Dimmer adjustment knob (Figure 4 ⑨) to set the current bit, press the Dimmer adjustment knob (Figure 4 ⑨) to set the current bit and go to the next bit. When the last bit is set,Press the Dimmer adjustment knob (Figure 4 ⑨) or wait for about 5s after stopping the operation to exit the setting of the communication address.

2) Usage

Complete the DMX address parameter setting of the product according to the expected demand, and connect the lamp with the DMX control equipment reliably through the DMX line, then it can be normal Use.

This product occupies a total of 2 DMX control channel, the current setting of DMX address (N) for brightness control, the current set value of the next address (N+1) for color temperature control, **for example:**

DMX Address	DMX Control Address	Function
008	008	Intensity 0%-100%
	009	Color temperature 2700K-6500K

3.2.2 Group Communication Mode

1) Parameter setting

Press the Color adjustment knob (As shown in FIG. 4 ⑩) to make the current communication mode of the lamp set to Group communication mode (as shown in FIG. 8), and pass Dimmer Enter the Group address setting interface (as shown in Figure 10) and turn the Dimmer adjustment knob to set the Group address. Press the Dimmer adjustment knob (As shown in Figure 4 ⑨) or stop the operation and wait for about 5 seconds to exit the communication address setting.

2) usage

Set the Group address of the product according to the expected demand, set the lamps to be controlled into the same Group address, and set the lamps through DMX Network, can be used normally, do not distinguish between primary and secondary.

Tips: When using the Group function of lamps, do not access the output device of DMX signal in the network of lamps, otherwise this function cannot be enabled normally to use.

4. USB Interface usage

USB port (Figure 4 ⑦) is a reserved port, please use according to the specified environment of the company's related products, can not be used for other purposes, in order to avoid losses.

Packing list

No.	Details	Portable Kit
1	PL-S150D	x 1
2	Barn Door	x 1
3	Power Adaptor	x 1
4	Power Cable	x 1
5	Ring	x 2
6	Safety rope	x 2
7	Honey Comb(optional)	Optional