

SWIT®

Chip-Array LED On-Camera Light

S-2060

Ver: B

USER MANUAL

SWIT Electronics Co.,Ltd.

Tel: +86-25-85805753
Fax: +86-25-85805296
http://www.swit.cc
E-mail: contact@swit.cc

Congratulations on your purchase of this product. Please read this user manual carefully.

Product view

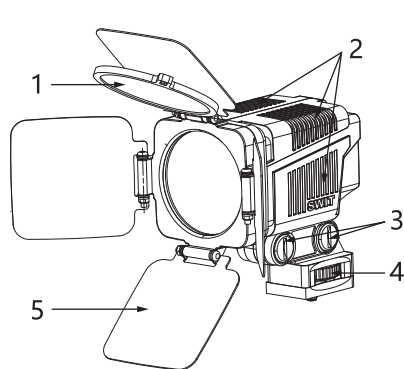


Fig 1

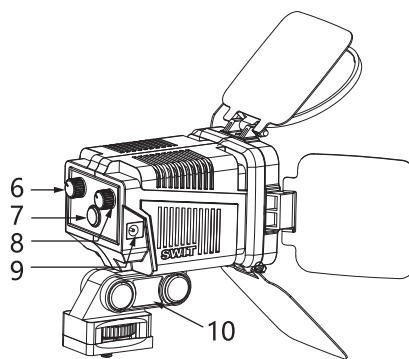


Fig 2

1. Focusing lens
2. Cooling vent
3. Connecting rod fastening bolt
4. Screw mount base
5. Barn door
6. Color temperature adjusting knob
7. Power Switch
8. Illumination adjusting knob
9. DC-IN socket
10. Connecting rod

Specifications

Color Temperature	2800K-6000K
Intensity	10%-100%
illuminance	1. without focusing lens: Approx. 1500 Lux@1m 167Lux@3m 60Lux@5m 2. with focusing lens: Approx. 5000 Lux@1m 556Lux@3m 200Lux@5m
Beam Angle	Approx. 60° (without focusing lens); Approx. 23° (with focusing lens)
CRI	96
TLCI	99
Working Voltage	DC 6-17V
Power Consumption	Approx. 30W
Weight	Approx. 530g
Dimensions	Approx. 120*86*121mm

Cautions

1. Do not disassemble the light or touch the interior with metal objects to prevent damaging the equipment.
2. Do not store the light in dusty or wet environment to avoid damage.
3. Working temperature is between -10 C and 40 C.
4. Do not block the cooling vent.

Clean

Clean the light and diffuser with a soft dry cloth, or clean with a soft cloth dipped with neutral detergent first, and then wipe with a soft dry cloth. Do not clean the light and diffuser with a wet cloth, anhydrous alcohol, benzene, mixture of anhydrous alcohol and ether to avoid damage.

Packing List

NO.	Details	Quantities
1	LED light	x 1
2	Cold shoe base	x 1
3	D-tap to Pole tap cable (S-7104)	x 1
4	User manual	x 1
5	Warranty card	x 1
6	Portable bag	x 1

Usage

1. Power the light

- ① Please Make sure the light is switched off (turn the switch to "O"). Plug S-7104 into the DC-IN port of S-2060 and get power from D-tap power output sockets, such as batteries, battery plates.
- ② For third-party DC cables, please make sure the DC connector is 5.5/2.1mm pole and input voltage should be 6-17V; and polarity inner positive, outer negative.

Note: It is normal phenomena that the illumination decreases when the power supply is lower than 12V.

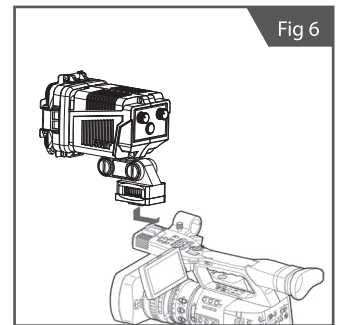
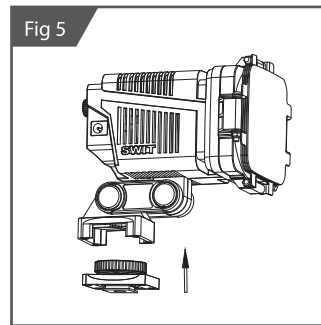
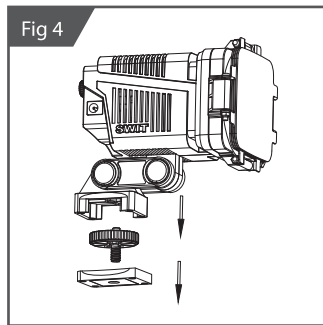
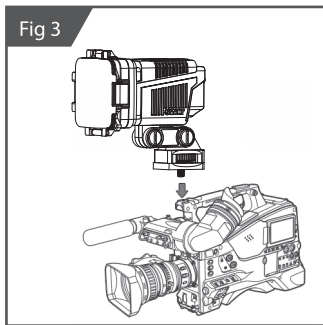
2. Fix the LED light to the camera

• By 1/4" screw mount

S-2060 is equipped with screw mount base as default, and can be directly installed on 1/4" thread handle. (Fig 3)

• By Cold shoe

- ① Unscrew the 4 screws and take down the screw mount base from the light. (Fig 4)
- ② Install the supplied cold shoe base onto the light.(Fig 5)
- ③ Anticlockwise revolve the fasten knob, and loose the cold shoe slice, then install onto the camera cold shoe slot, and fasten the knob to finish. (Fig 6)



3. Tilt the light angle

Hold the light body, and adjust the angle up and down with the connecting rod. (Fig 7)

Note: If the connecting rod is loose, clockwise revolve the fasten knob to fasten it.

4. Adjust the illumination

Revolve the illumination adjusting knob to adjust the illumination from 10% to 100%.

5. Use focusing lens

Using focusing lens will increase the central illumination to 5000Lux @ 1meter, meanwhile, the beam angle will decrease to 23°. (Fig 8)

6. Adjust color temperature

Revolve the Color temperature adjusting knob to continuously change the color temperature from 2800K to 6000K.

7. Disassemble barn door

Revolve the barn door according to the direction of the arrow to take it down. (Fig9)

Align the arrow on the barn door to the Installation mark of S-2060 light body and press the barn door; revolve the barn door again according to the direction of the arrow to assemble it. (Fig10)

