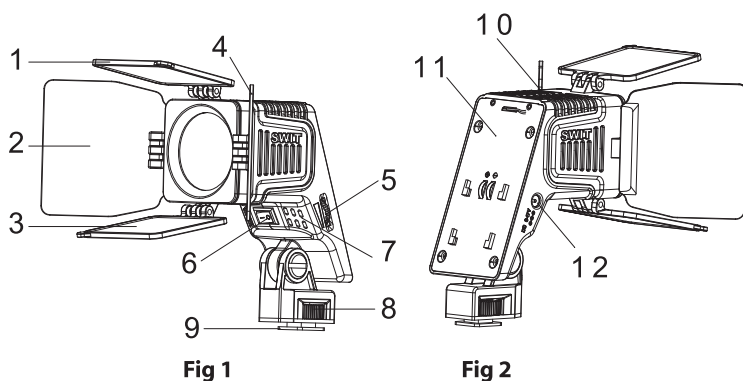


**Features**

- ◆ New generation chip-array LED technology, outputs bright but soft and glareless light;
- ◆ 60°wide beam angle, equally spread light, single shadow;
- ◆ 13W power consumption, 1100Lux @ 1meter, 10%-100% dimmer;
- ◆ 5000K color temperature, 5600K and 3200K filter;
- ◆ 6V-17V wide voltage input via D-tap power cable or standard DV battery;
- ◆ High intensity and toughness glass fiber housing, screw and cold shoe mount.

**Product view**

- |                |                  |
|----------------|------------------|
| 1 5600K filter | 7 Cooling vent   |
| 2 Barn door    | 8 Fasten knob    |
| 3 3200K filter | 9 Cold shoe      |
| 4 Barn door    | 10 Cooling vent  |
| 5 Dimmer knob  | 11 DV plate slot |
| 6 Power Switch | 12 DC-IN socket  |

**Caution**

1. Do not disassemble the light or touch the interior with metal objects to prevent damaging the equipment.
2. Do not store the light in dusty or wet environment to avoid damage.
3. Working temperature is between -10°C and 40°C.
4. Storage temperature is between -20°C and 55°C.
5. Do not block the cooling vent.

**Cleaning**

Clean the light and diffuser with a soft dry cloth, or clean with a soft cloth dipped with neutral detergent first, and then wipe with a soft dry cloth. Do not clean the light and diffuser with a wet cloth, anhydrous alcohol, benzene, mixture of anhydrous alcohol and ether to avoid damage.

**Specification**

Input voltage	DC 6V~17V			
Power consumption	Approx. 13W			
Beam angle	Approx. 60°			
Illuminance	Distance	Illuminance/Lux		
		3200K	5000K	5600K
	1m	400	1100	800
	3m	44	122	89
	5m	16	44	32
Color temperature	5000K and 5600K /3200K switchable			
CRI	88			
Weight	Approx. 274g			
Dimension	108mm×80mm×133mm			

**Packing List**

	Details	Quantities
1	LED light	× 1
2	S-7004 series snap-on DV plate (optional for different types)	× 1
3	Portable bag	× 1
4	Power cable (S-7104,S-7108 optional)	× 1
5	Warranty card	× 1
6	User manual	× 1

# Usage

## 1 Power supply

### S-2070 accepts three ways of power supply:

1. By special slim battery S-8040;
2. By various standard DV camera batteries;
3. By DC cable.

#### ● By special slim battery S-8040 (Optional purchase)

- ① Make sure there's no power lead connected into DC-IN socket and the light is switched off (turn the switch to "O"). Align a fully charged S-8040 battery to the DV mount slot to the same side, and press tightly in. Slide the battery downward to snap together. See Fig 3.

#### ● By various standard DV camera batteries

- ① Align the S-7004 series battery plate to the DV mount slot to the same side, and press tightly in. Slide S-7004 downward to snap together. See Fig 4.
- ② Fix the DV mount with two screws.
- ③ Make sure the light is switched off (turn the switch to "O"). Mount a fully charged battery to the S-7004 mount. See Fig 4.

Remark: Select a compatible S-7004 battery plate to match your DV battery:

Model	Compatible battery	Recommended SWIT battery
S-7004F	SONY NP-970/770	S-8972/8970/8770
S-7004D	Panasonic D54S, VW-VBD58	S-8D62, S-8D58
S-7004C	Canon BP-945/970G	S-8945/8845
S-7004U	SONY BP-U60/U30	S-8U63
S-7004E	Canon DSLR LP-E6	S-8PE6
S-7004B	Panasonic VW-VBG6	S-8BG6
S-7004V	JVC BN-VF823	S-8823
S-7004I	JVC SSL-JVC50	S-8I50

#### ● By DC cable

- ① Make sure the light is switched off (turn the switch to "O"). Plug S-7104 into the DC-IN port of S-2070 and get power from D-tap power output sockets, such as batteries, battery plates. You can also select SWIT pole-tap to pole-tap DC cable (S-7108) to get power from pole-tap DC adaptors.

\*Remark:

S-2070 is supplied with 2 kinds of DC cables, optional for different power sources:

Cable Model	Connector description	Length
S-7104	Battery D-tap output → Pole-tap input to S-2070	1m
S-7108	Battery Pole-tap output → Pole-tap input to S-2070	1m

- ② For third-party DC cables, please make sure the DC connector is 5.5/2.1mm pole and input voltage should be 6-17V; and polarity inner positive, outer negative. See Fig 5.

## 2. Fix the LED light to the camera

#### ● By Cold shoe

- ① Anticlockwise revolve the fasten knob, till the screw bolt is back into the cold shoe slice.
- ② Align the cold shoe slice with the cold shoe mount on the camera handle.
- ③ Clockwise revolve the fasten knob to install the light onto the camera.

#### ● By 1/4" screw mount

- ① Clockwise revolve the fasten knob, till the screw bolt is out of the cold shoe slice.
- ② Align the screw bolt with the 1/4" screw thread on the camera handle.
- ③ Continuously clockwise revolve the fasten knob to install the light onto the camera.

### 3 Adjust the angle of the light:

Hold the light, and adjust the light upward or downward. See Fig 7.

### 4. Open barn doors and filters:

Open the barn doors and filters to about 45°. See Fig 1

### 5. Switch on: Turn the switch to "I".

### 6. Adjust the illuminance:

Adjust the illuminance from 10% to 100% by the dimmer knob.

### 7. Adjust color temperature:

Output 5600K light by using 5600K filter (See Fig1 -①);

Output 3200K light by using 3200K filter (See Fig1 -③).

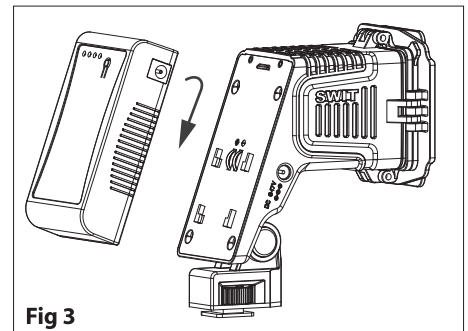


Fig 3

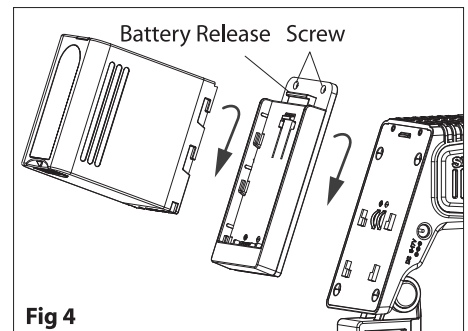


Fig 4

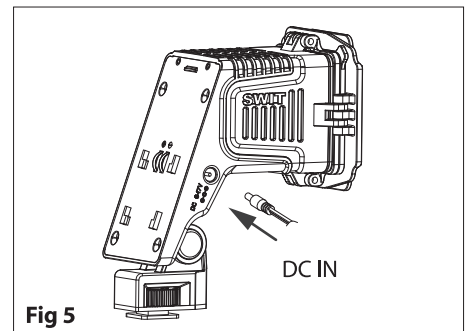


Fig 5

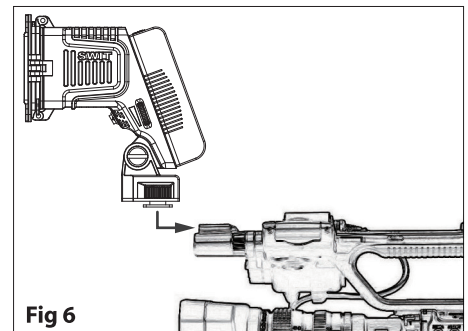


Fig 6

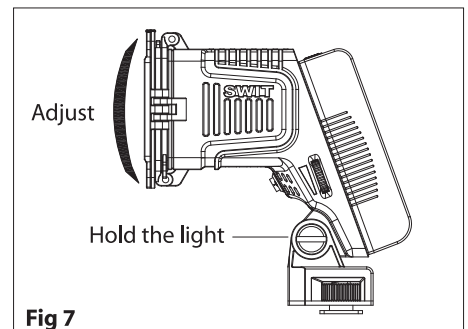


Fig 7