

USER MANUAL

SWIT Electronics Co.,Ltd.

Tel:+86-25-85805753
 Fax:+86-25-85805296
<http://www.swit.cc>
 E-mail: contact@swit.cc

Thank you for choosing SWIT product. Please read the instructions before using, and keep it for future reference.

Features

- ◆ Ultra-bright bi-color Surfaced mounted LEDs with accurate color temperature and 50,000hrs long life time;
- ◆ 3200K-5600K continuously adjustable, 10%-100% flick-free dimming;
- ◆ 6V-17V wide voltage input via D-tap power cable or standard DV camera battery;
- ◆ SMD LED with an equally spread area of soft and non-flick light;
- ◆ Smaller size, light and portable, suitable for indoor and outdoor video lighting.

Caution

1. Do not disassemble the light or touch the interior with metal objects to prevent damaging the equipment.
2. Do not store the light in dusty or wet environment to avoid damage.
3. Working temperature is between -10°C and 40°C.

Specification

Model	S-2241
LED	153pcs
Illuminance	640 Lux@1m 71 Lux@3m 26 Lux@1m
Half beam angle	68°
Beam angle	120°
Color temperature	3200K±200K~5600K±300K
Ra	≥93
TLCI	≥97
Power consumption	DC6~10V: Approx. 12W DC10~17V: Approx. 20W
Working voltage	DC 6V-17V
Dimensions	143(W)×91(H)×34(D)mm
Weight (light body)	Approx. 182g
Accessories	Cold shoe ball head, Diffuser, Portable bag, Battery plate, D-tap cable

Cleaning

1. Clean the light and diffuser with a soft dry cloth, or clean with a soft cloth dipped with neutral detergent first, and then wipe with a soft dry cloth.
2. Do not clean the light and diffuser with a wet cloth, anhydrous alcohol, benzene, mixture of anhydrous alcohol and ether to avoid damage.

Usage

1. Power supply

The S-2241 accepts two ways of power supply:

- ① By various standard DV camera batteries ;
- ② By DC input cable.

1) By various standard DV camera battery

Select a compatible S-7004 series battery plate to match your DV battery. Reference list as below:

Model	Compatible battery type	Recommended SWIT battery models
S-7004F	SONY NP-F970/770	S-8972/8970/8770
S-7004D	Panasonic CGA-D54/VW-VBD58	S-8D62
S-7004C	Canon BP-945/970G	S-8945/8845
S-7004U	SONY BP-U30/60	S-8U63
S-7004E	Canon DSLR LP-E6	S-8PE6
S-7004B	Panasonic VW-VBG6	S-8BG6
S-7004V	JVC BN-VF823	S-8823
S-7004I	JVC SSL-JVC50	S-8I50

2) By DC input cable

- ◆ Support 5.5/2.1mm pole DC power supply and the input voltage is 6-17V; polarity inner positive, outer negative.
- ◆ Make sure not to use the battery and DC power cable simultaneously, please unplug the DC power cable when using a battery.
- ◆ Make sure the voltage and power meet the requirements.

2. Installation

The light can be fixed on a tripod via 1/4" screw head, and can be fixed on camera with a cold shoe ball head.

3. Illuminance adjustment

Revolve the dimmer knob to adjust the illuminance from 10% to 100%.

4. Color temperature adjustment

Revolve the color temperature adjusting knob to adjust from 3200K±200K to 5600K±300K continuously.

5. Diffuser

User can apply the diffuser cover in front of LEDs by magnet to get soft light.

Front and rear view

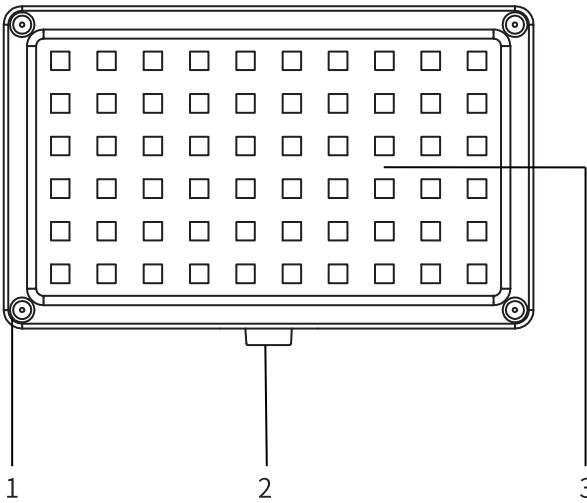


Fig 1 S-2240 front view

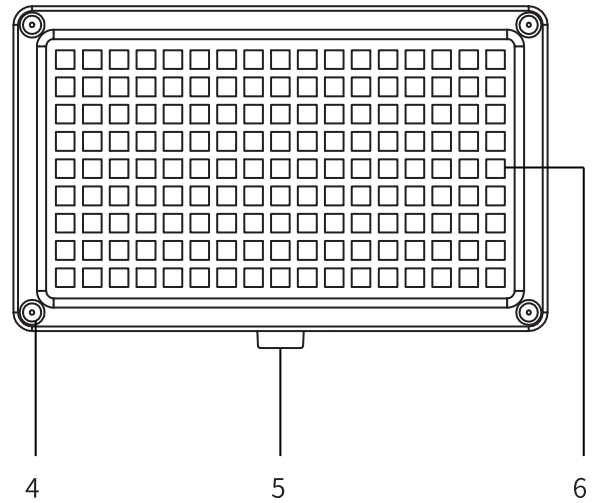


Fig2 S-2241 front view

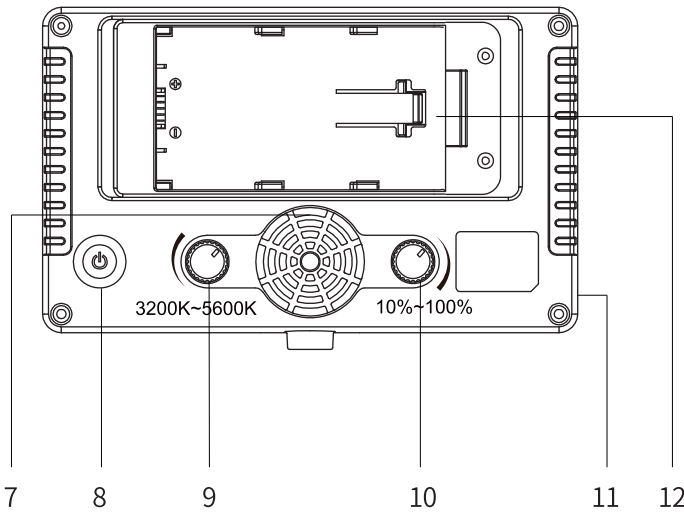


Fig3 S-2240/S-2241 rear view

- 1, 4 Magnet
- 2, 5 Cold shoe with 1/4" thread
- 3, 6 LED panel
- 7 Radiator fan
- 8 Power switch
- 9 Color temperature adjusting knob
- 10 Dimmer knob
- 11 DC-IN socket
- 12 DV battery plate (For example : JVC SSL-JVC50 camera battery plate)

Packing List

	Details	Quantity
1	S-2240/S-2241	× 1
2	1/4" screw / Cold shoe ball head	× 1
3	Diffuser cover	× 1
4	Portable bag	× 1
5	S-7004 series DV plate	× 1
6	D-tap power cable	× 1